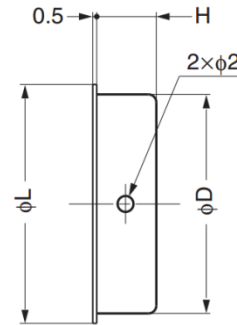
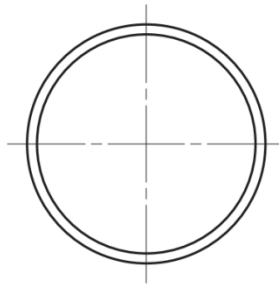
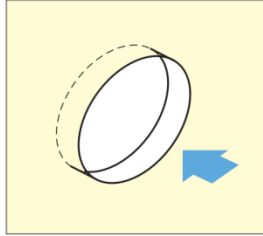


## GSMH Stainless Steel Recessed Pull

### Material

- Stainless steel 304, satin finish

### Installation



Part No.	L	H	D
GSMH-30	30	7.5	27.5
GSMH-37	36	8.5	31.5
GSMH-45	46		41
GSMH-60	60	9.5	53.5
GSMH-80	80		71

## GHN Stainless Steel Recessed Pull

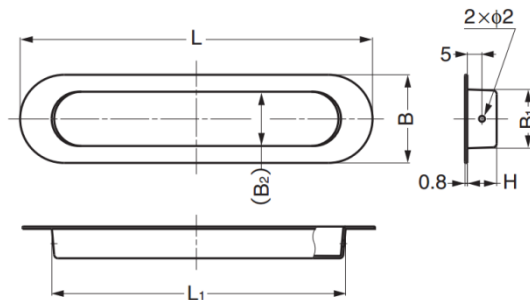
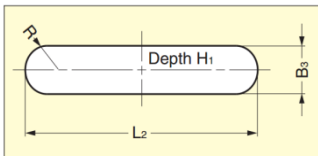
### Material

- Stainless steel 304, satin finish

### Parts Included

- ∅1.2×10 nail (SUS)

### Cut Out Dimensions



Part No.	L	L <sub>1</sub>	H	B	B <sub>1</sub>	B <sub>1</sub>	L <sub>2</sub>	B <sub>3</sub>	H <sub>1</sub>
GHN-120SH	120	100	10	30	20	18.5	100.5	20.5	10.5
GHN-150SH	150	130	12	35	26	24.5	130.5	26.5	12.5
GHN-200SH	200	170	13.2	50	36	34.5	170.5	36.5	13.7
GHN-250SH	250	220					220.5		